

PARTS LIST

CAUTION

- The parts identified by the \triangle symbol are important for the safety. Whenever replacing these parts, be sure to use specified ones to secure the safety .
- The parts not indicated in this Parts List and those which are filled with lines — in the Parts No. columns will not be supplied.
- P. W. Board Ass'y will not be supplied, but those which are filled with the Parts No. in the Parts No. columns will be supplied.

ABBREVIATIONS OF RESISTORS, CAPACITORS AND TOLERANCES

RESISTORS		CAPACITORS	
C R	Carbon Resistor	C CAP.	Ceramic Capacitor
F R	Fusible Resistor	E CAP.	Electrolytic Capacitor
P R	Plate Resistor	M CAP.	Mylar Capacitor
V R	Variable Resistor	HV CAP.	High Voltage Capacitor
HV R	High Voltage Resistor	MF CAP.	Metalized Film Capacitor
MF R	Metal Film Resistor	MM CAP.	Metalized Mylar Capacitor
MG R	Metal Glazed Resistor	MP CAP.	Metalized Polystyrol Capacitor
MP R	Metal Plate Resistor	PP CAP.	Polypropylene Capacitor
OM R	Metal Oxide Film Resistor	PS CAP.	Polystyrol Capacitor
CMF R	Coating Metal Film Resistor	TF CAP.	Thin Film Capacitor
UNF R	Non-Flammable Resistor	MPP CAP.	Metalized Polypropylene Capacitor
CH V R	Chip Variable Resistor	TAN. CAP.	Tantalum Capacitor
CH MG R	Chip Metal Glazed Resistor	CH C CAP.	Chip Ceramic Capacitor
COMP. R	Composition Resistor	BP E CAP.	Bi-Polar Electrolytic Capacitor
LPTC R	Linear Positive Temperature Coefficient Resistor	CH AL E CAP.	Chip Aluminum Electrolytic Capacitor
		CH AL BP CAP.	Chip Aluminum Bi-Polar Capacitor
		CH TAN. E CAP.	Chip Tantalum Electrolytic Capacitor
		CH AL BP E CAP.	Chip Tantalum Bi-Polar Electrolytic Capacitor

TOLERANCES									
F	G	J	K	M	N	R	H	Z	P
±1%	±2%	±5%	±10%	±20%	±30%	+30% -10%	+50% -10%	+80% -20%	+100% -0%

CONTENTS

■ EXPLODED VIEW PARTS LIST	34
■ EXPLODED VIEW	35
■ PRINTED WIRING BOARD PARTS LIST	
[AV-21A10 / AV-21A10/HK]	
● MAIN PW BOARD ASS'Y (SCG-1282A-H2) (With CRT SOCKET PW BOARD)	36
[AV-2114EE]	
● MAIN PW BOARD ASS'Y (SCG-1283A-H2) (With CRT SOCKET PW BOARD)	39
[AV-21ATG2 / AV-21ATG2/-A]	
● MAIN PW BOARD ASS'Y (SCG-1284A-H2) (With CRT SOCKET PW BOARD)	42
■ REMOTE CONTROL UNIT PARTS LIST	45
■ PACKING	46
■ PACKING PARTS LIST	47

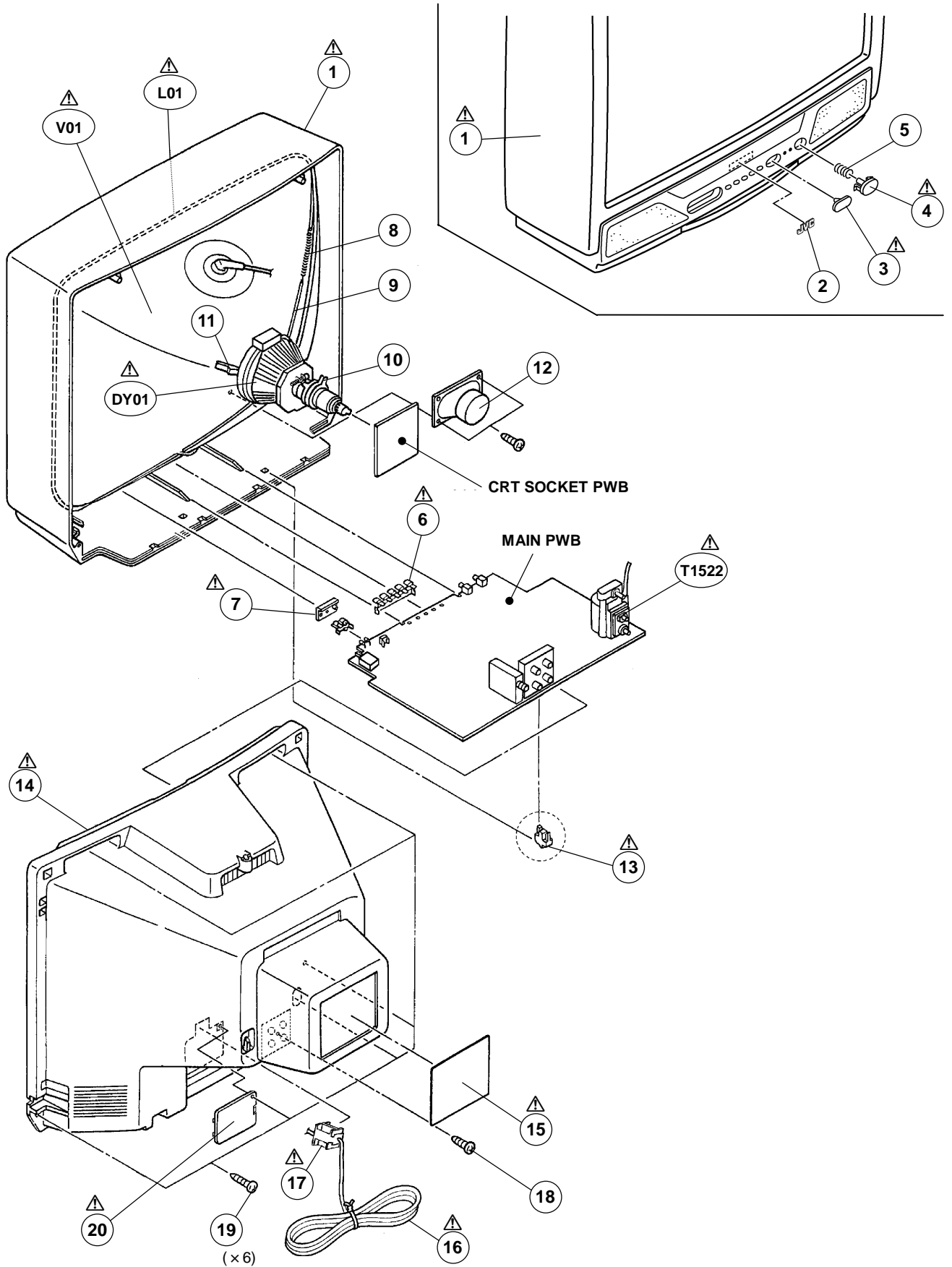
USING PW BOARD & REMOTE CONTROL UNIT

Model	AV-21A10	AV-21A10/HK	AV-2114EE	AV-21ATG2	AV-21ATG2/-A
PWB ASS'Y					
MAIN PWB	SCG-1282A-H2	←	SCG-1283A-H2	SCG-1284A-H2	←
REMOTE CONTROL UNIT	RM-C364GY-1H	←	←	←	←

EXPLODED VIEW PARTS LIST

△ Ref.No.	Part No.	Part Name	Description
△ V01	A51KQK99X	PICTURE TUBE	
△ L01	QQW0124-001	DEG COIL	[OTHER MODELS]
△ L01	QQW0077-001	DEG COIL	[AV-21ATG2/ AV-21ATG2/-A]
△ DY01	QQD0061-001	DEF YOKE	
△ T1522	QQH0102-001	H.V. TRANSF.	
△ 1	GG10047-006A-H	FRONT CABI ASSY	[AV-21A10]
△ 1	GG10047-007A-H	FRONT CABI ASSY	[AV-21A10/HK]
△ 1	GG10047-008A-H	FRONT CABI ASSY	[AV-2114EE]
△ 1	GG10047-007A-H	FRONT CABI ASSY	[AV-21ATG2]
△ 1	GG10047-007A-H	FRONT CABI ASSY	[AV-21ATG2/-A]
△ 2	CM43094-009-H	JVC MARK	
△ 3	CM36375-001-H	CDS WINDOW	
△ 4	CM36516-004-H	POWER KNOB	
△ 5	CM35235-012-H	SPRING	
△ 6	CM36517-004-H	CONTROL KNOB	
△ 7	CM36518-001-H	LED LENS	
8	A48457-3-H	SPRING	
9	CHGB0016-0B-FH	BRAIDED WIRE	
10	A75034-B	P.C. MAGNET	
11	CE42153-00AJ1	WEDGE ASSY	(X3)
12	CEB5509D-03KJ2	SPEAKER	SP01
△ 13	CM48144-002-H	PWB STOPPER	
△ 14	CM12863-A02-MH	REAR COVER	
△ 15	GG20014-002A-H	RATING LABEL	[AV-21A10]
△ 15	GG20014-003A-H	RATING LABEL	[AV-21A10/HK]
△ 15	GG20014-005A-H	RATING LABEL	[AV-2114EE]
△ 15	LC20377-001B-H	RATING LABEL	[AV-21ATG2]
△ 15	LC20413-002B-H	RATING LABEL	[AV-21ATG2/-A]
△ 16	QMP40D0-200J5	POWER CORD	or QMP40D0-200J3 [AV-21A10]
△ 16	QMPN050-200-E2	POWER CORD	[AV-21A10/HK]
△ 16	QMP40D0-200J5	POWER CORD	or QMP40D0-200J3 [AV-2114EE]
△ 16	QMPR340-165-K2	POWER CORD	[AV-21ATG2]
△ 16	QMPR010-200-E2	POWER CORD	or QMPR010-200-K2 [AV-21ATG2/-A]
△ 17	CM23167-A01-H	CORD CLAMP	
18	QYSB5F3010Z	TAPPING SCREW	(X1)
19	QYSB5FG4016Z	TAPPING SCREW	(X6)
△ 20	CM36617-B01-H	BACK BOARD	

EXPLODED VIEW



PRINTED WIRING BOARD PARTS LIST

[AV-21A10 / AV-21A10/HK]

MAIN P.W. BOARD ASS'Y (SCG-1282A-H2)

△ Symbol No.	Part No.	Part Name	Description
RESISTOR			
R1002-03	NRSA63J-221X	MG R	220Ω 1/16W J
R1004	NRSA63J-563X	MG R	56kΩ 1/16W J
R1102	NRSA63J-750X	MG R	75Ω 1/16W J
R1103	NRSA63J-100X	MG R	10Ω 1/16W J
R1109	NRSA63J-682X	MG R	6.8kΩ 1/16W J
R1110	NRSA63J-272X	MG R	2.7kΩ 1/16W J
R1111	NRSA02J-181X	MG R	180Ω 1/10W J
R1112	NRSA63J-100X	MG R	10Ω 1/16W J
R1113	NRSA63J-101X	MG R	100Ω 1/16W J
R1120	NRSA63J-391X	MG R	390Ω 1/16W J
R1121	NRSA63J-221X	MG R	220Ω 1/16W J
R1159	NRSA02J-184X	MG R	180kΩ 1/10W J
R1301	NRSA63J-221X	MG R	220Ω 1/16W J
R1302	NRSA63J-472X	MG R	4.7kΩ 1/16W J
R1303-05	NRSA63J-101X	MG R	100Ω 1/16W J
R1306	NRSA63J-221X	MG R	220Ω 1/16W J
R1307	NRSA63J-122X	MG R	1.2kΩ 1/16W J
R1308	NRSA63J-182X	MG R	1.8kΩ 1/16W J
R1312	NRSA63J-0R0X	MG R	0.0Ω 1/16W J
R1313	NRSA63J-102X	MG R	1kΩ 1/16W J
R1314	NRSA02J-102X	MG R	1kΩ 1/10W J
R1321	NRSA63J-152X	MG R	1.5kΩ 1/16W J
R1322	NRSA63J-272X	MG R	2.7kΩ 1/16W J
R1323	NRSA63J-103X	MG R	10kΩ 1/16W J
R1324	NRSA63J-102X	MG R	1kΩ 1/16W J
R1326	NRSA63J-101X	MG R	100Ω 1/16W J
R1327	NRSA02J-475X	MG R	4.7MΩ 1/10W J
R1341	NRSA63J-332X	MG R	3.3kΩ 1/16W J
R1347	NRSA63J-392X	MG R	3.9kΩ 1/16W J
R1349	NRSA63J-472X	MG R	4.7kΩ 1/16W J
R1351-53	NRSA63J-151X	MG R	150Ω 1/16W J
R1354-56	NRSA63J-331X	MG R	330Ω 1/16W J
R1357-59	NRSA63J-101X	MG R	100Ω 1/16W J
R1360-62	QRZ0107-152Z	C R	1.5kΩ 1/2W K
R1363-65	QRL029J-123	OM R	12kΩ 2W J
R1366-68	NRSA63J-182X	MG R	1.8kΩ 1/16W J
R1372	NRSA63J-0R0X	MG R	0.0Ω 1/16W J
R1374	NRSA63J-392X	MG R	3.9kΩ 1/16W J
R1401	NRSA63J-103X	MG R	10kΩ 1/16W J
R1421	NRSA63J-472X	MG R	4.7kΩ 1/16W J
R1423-24	NRSA63J-0R0X	MG R	0.0Ω 1/16W J
R1425	NRSA63J-332X	MG R	3.3kΩ 1/16W J
R1426	NRSA63J-0R0X	MG R	0.0Ω 1/16W J
R1429	NRSA63J-103X	MG R	10kΩ 1/16W J
R1430	NRSA63J-823X	MG R	82kΩ 1/16W J
R1431	NRSA63J-103X	MG R	10kΩ 1/16W J
R1432	QRE121J-3R9Y	C R	3.9Ω 1/2W J
R1433	QRE121J-2R7Y	C R	2.7Ω 1/2W J
R1436	NRSA63J-823X	MG R	82kΩ 1/16W J
R1440	QRE121J-471Y	C R	470Ω 1/2W J
R1441	NRSA63J-822X	MG R	8.2kΩ 1/16W J
R1442	NRSA63J-103X	MG R	10kΩ 1/16W J
R1443	QRE121J-1R0Y	C R	1.0Ω 1/2W J
R1453	NRSA63J-272X	MG R	2.7kΩ 1/16W J
R1501	QRE121J-221Y	C R	220Ω 1/2W J
R1502	NRSA63J-0R0X	MG R	0.0Ω 1/16W J
R1503	NRSA63J-682X	MG R	6.8kΩ 1/16W J
R1525	QRL029J-330	OM R	33Ω 2W J
R1526	QRE121J-271Y	C R	270Ω 1/2W J
R1529	QRL039J-681	OM R	680Ω 3W J
R1531	NRSA63J-331X	MG R	330Ω 1/16W J
R1532	NRSA63J-102X	MG R	1kΩ 1/16W J
△ R1551	QRZ9011-1R0	F R	1.0Ω 1/2W J
△ R1552	QRJ146J-2R2X	C R	2.2Ω 1/4W J
R1554	QRE121J-681Y	C R	680Ω 1/2W J
R1571	QRE121J-222Y	C R	2.2kΩ 1/2W J
R1573	QRT029J-1R5	MF R	1.5Ω 2W J

△ Symbol No.	Part No.	Part Name	Description
RESISTOR			
R1574	QRT029J-1R5	MF R	1.5Ω 2W J
R1576	QRE121J-223Y	C R	22kΩ 1/2W J
R1577	NRSA63J-392X	MG R	3.9kΩ 1/16W J
R1578	NRSA63J-103X	MG R	10kΩ 1/16W J
R1581	QRE121J-182Y	C R	1.8kΩ 1/2W J
△ R1582	NRSA63J-223X	MG R	22kΩ 1/16W J
R1583	NRSA63J-393X	MG R	39kΩ 1/16W J
R1651	NRSA63J-472X	MG R	4.7kΩ 1/16W J
R1652	NRSA02J-102X	MG R	1kΩ 1/10W J
R1653	NRSA63J-331X	MG R	330Ω 1/16W J
R1654	NRSA63J-223X	MG R	22kΩ 1/16W J
R1655	NRSA63J-473X	MG R	47kΩ 1/16W J
R1656	NRSA63J-822X	MG R	8.2kΩ 1/16W J
R1657-58	NRSA63J-222X	MG R	2.2kΩ 1/16W J
R1659	QRE121J-4R7Y	C R	4.7Ω 1/2W J
R1660	NRSA63J-153X	MG R	15kΩ 1/16W J
R1661-62	QRE121J-271Y	C R	270Ω 1/2W J
R1664	NRSA63J-682X	MG R	6.8kΩ 1/16W J
R1665	NRSA63J-103X	MG R	10kΩ 1/16W J
R1666	NRSA63J-101X	MG R	100Ω 1/16W J
R1667	QRE121J-101Y	C R	100Ω 1/2W J
R1668	QRT029J-5R6	MF R	5.6Ω 2W J
R1701	NRSA63J-562X	MG R	5.6kΩ 1/16W J
R1702	NRSA63J-682X	MG R	6.8kΩ 1/16W J
R1703	NRSA63J-392X	MG R	3.9kΩ 1/16W J
R1704-05	NRSA63J-221X	MG R	220Ω 1/16W J
R1706-07	NRSA63J-561X	MG R	560Ω 1/16W J
R1708	NRSA63J-102X	MG R	1kΩ 1/16W J
R1709-14	NRSA63J-472X	MG R	4.7kΩ 1/16W J
R1715-16	NRSA63J-221X	MG R	220Ω 1/16W J
R1718	NRSA63J-561X	MG R	560Ω 1/16W J
R1719	NRSA63J-102X	MG R	1kΩ 1/16W J
R1720	NRSA63J-472X	MG R	4.7kΩ 1/16W J
△ R1721	NRSA63J-103X	MG R	10kΩ 1/16W J
R1723	QRL039J-270	OM R	27Ω 3W J
R1725	NRSA63J-102X	MG R	1kΩ 1/16W J
R1726	NRSA63J-472X	MG R	4.7kΩ 1/16W J
R1727	NRSA63J-153X	MG R	15kΩ 1/16W J
R1728-29	NRSA63J-102X	MG R	1kΩ 1/16W J
R1730	NRSA63J-103X	MG R	10kΩ 1/16W J
R1731	NRSA63J-472X	MG R	4.7kΩ 1/16W J
R1736	NRSA63J-823X	MG R	82kΩ 1/16W J
R1737	NRSA63J-104X	MG R	100kΩ 1/16W J
R1738-39	NRSA63J-103X	MG R	10kΩ 1/16W J
R1740	NRSA63J-392X	MG R	3.9kΩ 1/16W J
R1741	NRSA63J-561X	MG R	560Ω 1/16W J
R1742	NRSA63J-563X	MG R	56kΩ 1/16W J
R1746	NRSA63J-103X	MG R	10kΩ 1/16W J
R1747	NRSA63J-0R0X	MG R	0.0Ω 1/16W J
R1748	NRSA63J-101X	MG R	100Ω 1/16W J
R1749	NRSA63J-472X	MG R	4.7kΩ 1/16W J
R1771-72	NRSA63J-821X	MG R	820Ω 1/16W J
R1791-95	NRSA63J-221X	MG R	220Ω 1/16W J
R1796	NRSA63J-103X	MG R	10kΩ 1/16W J
R1797	NRSA63J-153X	MG R	15kΩ 1/16W J
R1802	NRSA02J-750X	MG R	75Ω 1/10W J
R1806	QRE121J-271Y	C R	270Ω 1/2W J
R1807	NRSA63J-680X	MG R	680Ω 1/16W J
R1810	QRG016G-560	OM R	56Ω 1W J
R1811	NRSA63J-221X	MG R	220Ω 1/16W J
R1815	QRE121J-181Y	C R	180Ω 1/2W J
R1816	NRSA63J-681X	MG R	680Ω 1/16W J
R1817	NRSA63J-472X	MG R	4.7kΩ 1/16W J
△ R1901	QRF074K-4R7	UNF R	4.7Ω 7W K
R1903	QRL029J-683	OM R	68kΩ 2W J
R1904	QRL039J-151	OM R	150Ω 3W J
R1921	QRE121J-681Y	C R	680Ω 1/2W J

[AV-21A10 / AV-21A10/HK]

△ Symbol No.	Part No.	Part Name	Description
RESISTOR			
△ R1922	QRT029J-1R8	MF R	1.8Ω 2W J
R1923	QRM059J-R33	MP R	0.33Ω 5W J
R1926	NRSA63J-222X	MG R	2.2kΩ 1/16W J
R1928	QRL039J-563	OM R	56kΩ 3W J
R1929	QRE121J-822Y	C R	8.2kΩ 1/2W J
R1933	QRE121J-120Y	C R	12Ω 1/2W J
R1936	QRG01GJ-561	OM R	560Ω 1W J
R1941	QRE121J-821Y	C R	820Ω 1/2W J
R1942	NRSA63J-122X	MG R	1.2kΩ 1/16W J
R1943	NRSA63J-473X	MG R	47kΩ 1/16W J
R1944	NRSA63J-103X	MG R	10kΩ 1/16W J
R1974	NRSA63J-222X	MG R	2.2kΩ 1/16W J
R1976	QRT029J-8R2	MF R	8.2Ω 2W J
R1977	QRE121J-122Y	C R	1.2kΩ 1/2W J
R1978	NRSA63J-473X	MG R	47kΩ 1/16W J
R1979	QRL039J-470	OM R	47Ω 3W J
R1980	QRL029J-103	OM R	10kΩ 2W J
△ R1991	QRZ9046-825Z	C R	8.2MΩ 1/2W K

CAPACITOR

C1001	QETN1HM-106Z	E CAP.	10μF 50V M
C1002	NCB31HK-103X	C CAP.	0.01μF 50V K
C1004	QETN1CM-477Z	E CAP.	470μF 16V M
C1005	QFV71HJ-104Z	MF CAP.	0.1μF 50V J
C1008	QETN1HM-475Z	E CAP.	4.7μF 50V M
C1103	QETN1EM-476Z	E CAP.	47μF 25V M
C1104-07	NCB31HK-472X	C CAP.	4700pF 50V K
C1110	NRSA63J-0R0X	MG R	0.0Ω 1/16W J
C1112	QETN1EM-476Z	E CAP.	47μF 25V M
C1113	NCB31HK-472X	C CAP.	4700pF 50V K
C1115-16	NCB31HK-103X	C CAP.	0.01μF 50V K
C1117	QFV71HJ-224Z	MF CAP.	0.22μF 50V J
C1119	QETN1HM-474Z	E CAP.	0.47μF 50V M
C1120	NDC31HJ-121X	C CAP.	120pF 50V J
C1121-22	NCB31HK-103X	C CAP.	0.01μF 50V K
C1162	NCB31HK-152X	CHIP CAP.	1500pF 50V K
C1301	NCB31HK-123X	CHIP CAP.	0.012μF 50V K
C1302	QETN1HM-475Z	E CAP.	4.7μF 50V M
C1303	NDC31HJ-100X	C CAP.	10pF 50V J
C1304	QFV71HJ-474Z	MF CAP.	0.47μF 50V J
C1305	QETN1HM-474Z	E CAP.	0.47μF 50V M
C1306	NCB31HK-103X	C CAP.	0.01μF 50V K
C1307	QETN1CM-477Z	E CAP.	470μF 16V M
C1308	QETN1CM-107Z	E CAP.	100μF 16V M
C1309	NCB31HK-103X	C CAP.	0.01μF 50V K
C1310	NDC31HJ-221X	C CAP.	220pF 50V J
C1311	NCB31HK-103X	C CAP.	0.01μF 50V K
C1312	QENC1HM-474Z	BP E CAP.	0.47μF 50V M
C1313	QETN1HM-335Z	E CAP.	3.3μF 50V M
C1314	NCB31HK-103X	C CAP.	0.01μF 50V K
C1315	QETN1CM-107Z	E CAP.	100μF 16V M
C1316	QETN1HM-106Z	E CAP.	10μF 50V M
C1317	NCB31EK-473X	CHIP CAP.	0.047μF 25V K
C1321	NDC31HJ-120X	C CAP.	12pF 50V J
C1322	NCB31EK-273X	CHIP CAP.	0.027μF 25V K
C1323	QETN1HM-474Z	E CAP.	0.47μF 50V M
C1324	QETN1HM-106Z	E CAP.	10μF 50V M
C1325	QENC1HM-106Z	BP E CAP.	10μF 50V M
C1326	NCS21HJ-221X	C CAP.	220pF 50V J
C1341	QETN1HM-106Z	E CAP.	10μF 50V M
△ C1352	QFZ0097-103	MM CAP.	0.01μF 1250V K
C1354	NDC31HJ-271X	CER CAP.	270pF 50V J
C1355	NDC31HJ-221X	C CAP.	220pF 50V J
C1356	NDC31HJ-331X	C CAP.	330pF 50V J
C1357	QETN1AM-477Z	E CAP.	470μF 10V M
C1365-67	QENC1HM-105Z	BP E CAP.	1μF 50V M
C1401	QFV71HJ-474Z	MF CAP.	0.47μF 50V J
C1423	QCS32HJ-180Z	C CAP.	18pF 500V J
C1424	QFLC2AJ-103Z	M CAP.	0.01μF 100V J
C1426	QFLC1HJ-102Z	M CAP.	1000pF 50V J
C1427-28	QETN1VM-107Z	E CAP.	100μF 35V M

△ Symbol No.	Part No.	Part Name	Description
CAPACITOR			
C1429	QETN1HM-106Z	E CAP.	10μF 50V M
C1430	QFN32AJ-472Z	M CAP.	4700pF 100V J
C1433	QETN1HM-475Z	E CAP.	4.7μF 50V M
C1435	QETN1EM-228	E CAP.	2200pF 25V M
C1436	QFV71HJ-334Z	MF CAP.	0.33μF 50V J
C1437	NCB21HK-104X	CHIP CAP.	0.1μF 50V K
C1501	QETN1AM-477Z	E CAP.	470μF 10V M
C1502	NCB31HK-103X	C CAP.	0.01μF 50V K
C1503	QETN1HM-106Z	E CAP.	10μF 50V M
C1523	QETN1EM-476Z	E CAP.	47μF 25V M
△ C1525	QFZ0200-97Z	MPP CAP	9700μF1.5KvH ±3%
C1526	QFLC1HJ-103Z	M CAP.	0.01μF 50V J
△ C1527	QFZ0197-334	MPP CAP.	0.33μF 250V J
C1529	QFN32AJ-102Z	M CAP.	1000pF 100V J
C1531	QEZ0203-107	E CAP.	100μF 160V M
C1552	QETN1VM-108	E CAP.	1000μF 35V M
C1554	QETN2EM-475Z	E CAP.	4.7μF 250V M
C1555	QFLC2AJ-104Z	M CAP.	0.1μF 100V J
C1571	QETN1AM-107Z	E CAP.	100μF 10V M
C1572	QETN1EM-476Z	E CAP.	47μF 25V M
C1581	QFV71HJ-104Z	MF CAP.	0.1μF 50V J
C1652	NCB31HK-473X	CHIP CAP.	0.047μF 50V K
C1653	QETN1HM-106Z	E CAP.	10μF 50V M
C1654	QETN1CM-477Z	E CAP.	470μF 16V M
C1655	QETN1HM-106Z	E CAP.	10μF 50V M
C1656	QENC1HM-105Z	BP E CAP.	1μF 50V M
C1657	QETN1EM-107Z	E CAP.	100μF 25V M
C1658	QETN1EM-227Z	E CAP.	220μF 25V M
C1659	QETN1HM-475Z	E CAP.	4.7μF 50V M
C1663	NCB31HK-102X	C CAP.	1000pF 50V K
C1664	QETN1CM-107Z	E CAP.	100μF 16V M
C1665	NCB31HK-103X	C CAP.	0.01μF 50V K
C1701	QETN1HM-106Z	E CAP.	10μF 50V M
C1705	QETN1CM-477Z	E CAP.	470μF 16V M
C1706	NCB21EK-104X	C CAP.	0.1μF 25V K
C1707	NCB31HK-103X	C CAP.	0.01μF 50V K
C1708	QETN1EM-476Z	E CAP.	47μF 25V M
C1709	NCB31HK-103X	C CAP.	0.01μF 50V K
C1710	QETN1CM-107Z	E CAP.	100μF 16V M
C1711-13	NCB31HK-103X	C CAP.	0.01μF 50V K
C1716-17	NDC31HJ-181X	C CAP.	180pF 50V J
C1718	NCB31HK-103X	C CAP.	0.01μF 50V K
C1719	QETN1HM-105Z	E CAP.	1μF 50V M
C1720	NCB31HK-103X	C CAP.	0.01μF 50V K
C1721	NCB31EK-333X	CHIP CAP.	0.033μF 25V K
C1722	NDC31HJ-101X	C CAP.	100pF 50V J
C1724	NDC31HJ-560X	C CAP.	56pF 50V J
C1728-29	NDC31HJ-181X	C CAP.	180pF 50V J
C1730	NCB31HK-103X	C CAP.	0.01μF 50V K
C1744	NCB31HK-103X	C CAP.	0.01μF 50V K
C1805	QETN1CM-227Z	E CAP.	220μF 16V M
C1806	QETN1CM-477Z	E CAP.	470μF 16V M
C1811	QETN1HM-106Z	E CAP.	10μF 50V M
C1841	NCB31HK-152X	CHIP CAP.	1500pF 50V K
△ C1901	QFZ9075-104	MPP CAP.	0.1μFAC275V M
△ C1904	QCZ9015-102	C CAP.	1000pFAC250V Z
△ C1905	QCZ9015-102	C CAP.	1000pFAC250V Z
△ C1907	QCZ9015-102	C CAP.	1000pFAC250V Z
△ C1909	QEZ0552-127	E CAP.	120μF 400V M
△ C1910	QFZ9075-473	MPP CAP.	0.047μFAC275V M
△ C1922	QFLC1HJ-471Z	M CAP.	470pF 50V J
C1924	QETN1VM-107Z	E CAP.	100μF 35V M
C1926	QFLC1HJ-332Z	M CAP.	3300pF 50V J
C1928	NCB21HK-473X	C CAP.	0.047μF 50V K
C1929	QFP32GJ-223Z	PP CAP.	0.022μF 400V J
C1930	QCZ0325-561	C CAP.	5600pF 2kV K
C1931-32	QCZ0325-151	C CAP.	150pF 2kV K
C1941	QCZ0325-561	C CAP.	5600pF 2kV K
C1942	QEZ0203-107	E CAP.	100μF 160V M
C1945	QEHRIEM-108Z	E CAP.	1000μF 25V M
C1946	QETN1EM-477Z	E CAP.	470μF 25V M
C1948	QETN1EM-108Z	E CAP.	1000μF 25V M

[AV-21A10 / AV-21A10/HK]

Symbol No.	Part No.	Part Name	Description
CAPACITOR			
C1949	NDC31HJ-471X	C CAP.	470pF 50V J
C1950	NCB21HK-104X	CHIP CAP.	0.1μF 50V K
C1971	QETN1HM-106Z	E CAP.	10μF 50V M
C1976	QETN1EM-227Z	E CAP.	220μF 25V M
C1977	QETN1CM-227Z	E CAP.	220μF 16V M
C1978	QETN1EM-227Z	E CAP.	220μF 25V M
C1979	QETN1AM-227Z	E CAP.	220μF 10V M
△ C1991	QCZ9079-471	C CAP.	470pFAC250V K
△ C1992	QCZ9079-471	C CAP.	470pFAC250V K
△ C1993	QCZ9079-102	C CAP.	1000pFAC250V M

TRANSFORMER			
T1501	QQR1244-001	DRIVE TRANSF	
△ T1522	QQH0102-001	FB TRANSF	
△ T1921	QQS0111-001	SW TRANSF	

COIL			
L1001	QQL244K-8R2Z	COIL	8.2μH K
L1101	QQL244J-2R2Z	COIL	2.2μH J
L1103	QQL244K-8R2Z	COIL	8.2μH K
L1551	QQL2026-240	HEATER CHOKE	
L1701	QQL244J-5R6Z	COIL	5.6μH J
L1941-43	QQL26AK-820Z	COIL	82μH K

DIODE			
D1001	MTZJ33A-T2	ZENER DIODE	
D1301-02	MTZJ9.1B-T2	ZENER DIODE	
D1305	D1NS4-T2	SI DIODE	
D1341	1SS355-X	SI DIODE	
D1421	MTZJ75-T2	ZENER DIODE	
D1423	1SR124-400A-T2	SI DIODE	
D1425	1SS355-X	SI DIODE	
D1427	MTZJ27B-T2	ZENER DIODE	
D1551	RGP10J-TS-T3	SI DIODE	
D1552	RH15-T3	SI DIODE	
D1553	MTZJ9.1B-T2	ZENER DIODE	
D1554	1SS355-X	SI DIODE	
D1571	MTZJ7.5S-T2	ZENER DIODE	
D1581	MTZJ20B-T2	ZENER DIODE	
D1582	RGP10J-TS-T3	SI DIODE	
D1651	1SS355-X	SI DIODE	
D1652	MTZJ12C-T2	ZENER DIODE	
D1653	1SS355-X	SI DIODE	
D1654	MTZJ12C-T2	ZENER DIODE	
D1655-57	1SS355-X	SI DIODE	
D1701	1SS355-X	SI DIODE	
D1704	SLR-342VR-T16	L.E.D.	
D1705	SLR-342DU-T16	L.E.D. (ORG)	
D1707	1SS355-X	SI DIODE	
△ D1731	1SS355-X	SI DIODE	
D1901	G2SBA60	BRIDGE DIODE	
D1921	RGP10J-TS-T3	SI DIODE	
D1922-24	1SS355-X	SI DIODE	
D1926	MTZJ5.6B-T2	ZENER DIODE	
D1927	MTZJ6.8C-T2	ZENER DIODE	
D1929	MTZJ12C-T2	ZENER DIODE	
D1930	EG1A-T3	SI DIODE	
D1932	1SS355-X	SI DIODE	
D1933	MTZJ27B-T2	ZENER DIODE	
D1941	RU3AM-LFC4	SI DIODE	
D1942	RU3YX-LFC4	SI DIODE	
D1943	RGP10J-TS-T3	SI DIODE	
D1945	MTZJ9.1B-T2	ZENER DIODE	
D1982-83	1SS355-X	SI DIODE	

TRANSISTOR			
Q1102	2SC5083/L-P/-T	SI TRANSISTOR	
Q1301	2SB709A/QR/-X	SI TRANSISTOR	
Q1302	2SD601A/QR/-X	SI TRANSISTOR	
Q1351-53	STC344	SI TRANSISTOR	
Q1401	DTC124ESA-T	DIGI. TRANSISTOR	
Q1402	2SD601A/QR/-X	SI TRANSISTOR	

Symbol No.	Part No.	Part Name	Description
TRANSISTOR			
Q1521	2SC2655/Y/-T	SI TRANSISTOR	
△ Q1522	2SD2627-YB11	POWER TRANSISTOR	H. OUT
Q1571	2SA1208/ST/Z1-T	SI TRANSISTOR	
Q1572	2SD601A/QR/-X	SI TRANSISTOR	
Q1651-52	2SD601A/QR/-X	SI TRANSISTOR	
Q1653	2SB709A/QR/-X	SI TRANSISTOR	
Q1702-03	2SD601A/QR/-X	SI TRANSISTOR	
Q1708	UN2212-X	DEGI. TRANSISTOR	
Q1709	2SB709A/QR/-X	SI TRANSISTOR	
Q1803	2SC1815/YG/-T	SI TRANSISTOR	
Q1804	2SD601A/QR/-X	SI TRANSISTOR	
Q1941	2SD601A/QR/-X	SI TRANSISTOR	
Q1943	UN2211-X	DIGI TRANSISTOR	
Q1974	2SA966/OV/-T	SI TRANSISTOR	
Q1975	UN2212-X	DEGI. TRANSISTOR	

IC			
IC1301	MNS198K	I.C (M)	
IC1421	ANS522	I.C (MONO-ANA)	
IC1651	ANS265	I.C (MONO-ANA)	
IC1701	MN1873287JE	IC	
IC1702	AT24C08-21DTT2	I.C	(SERVICE)
IC1703	L78LR05E-MA	I.C (MONO-ANA)	
IC1704	PIC-471435Y	IR DETECT UNIT	
IC1921	STR-G6651	I.C	
IC1941	SE115N-LF12	I.C (HYBRID)	
IC1971	BA17809T	I.C (MONO-ANA)	
IC1972	BA17805T	I.C (MONO-ANA)	

OTHERS			
	LC30114-001C-H	L.E.D. HOLDER	
	CM35921-005-H	CDS HOLDER	
△ CP1981	ICP-N25-Y	I.C. PROTECT	
△ CP1982	ICP-N75-Y	I.C. PROTECT	
△ F1901	QMF51E2-3R15J4	FUSE	3.15A
FC1901	CEN6002-001Z	FUSE CLIP	
J1002	QNN0384-001	PIN JACK	
J1003	QNN0281-003	PIN JACK	
J1004	QNN0281-002	PIN JACK	
J1005	QNS0197-001	3.5 JACK	
K1351	QQR0621-002Z	BEADS CORE	
K1421	QQR1113-001Z	FERRITE BEADS	
K1921-22	QQR1113-001Z	FERRITE BEADS	
K1923	QQR1114-001Z	FERRITE BEADS	
K1924	QQR1113-001Z	FERRITE BEADS	
K1941-43	QQR1113-001Z	FERRITE BEADS	
△ LF1901	QQR0527-002	LINE FILTER	
PC1701	P1241-04	C.D.S.	
△ PC1921	PC123F2	I.C (PH. COUPLER)	
S1701	QSW0619-003Z	PUSH SWITCH	VOL+
S1702	QSW0619-003Z	PUSH SWITCH	VOL-
S1703	QSW0619-003Z	PUSH SWITCH	CH+
S1704	QSW0619-003Z	PUSH SWITCH	CH-
S1705	QSW0619-003Z	PUSH SWITCH	MENU
△ S1901	QSW0750-001	PUSH SWITCH	POWER SW
SF1102	QAX0666-002	SAW FILTER	
SF1122	QAX0325-001	SAW FILTER	
△ SK1351	QNZ0537-001	CRT SOCKET	
△ TH1901	QAD0121-9R0	P.THERISTOR	
TU1001	QAU0185-004	TUNER	
△ VA1901	ERZV10V621CS	VARIATOR	
X1301	QAX0500-001Z	CRYSTAL	
X1302	CE42690-001Z	CRYSTAL	
X1701	QAX0307-001	CER. RESONATOR	

PRINTED WIRING BOARD PARTS LIST

[AV-2114EE]

MAIN P.W. BOARD ASS'Y (SCG-1283A-H2)

△ Symbol No.	Part No.	Part Name	Description	△ Symbol No.	Part No.	Part Name	Description
RESISTOR				RESISTOR			
R1002-03	NRSA63J-221X	MG R	220Ω 1/16W J	R1574	QRT029J-1R5	MF R	1.5Ω 2W J
R1004	NRSA63J-563X	MG R	56kΩ 1/16W J	R1576	QRE121J-223Y	C R	22kΩ 1/2W J
R1102	NRSA63J-750X	MG R	75Ω 1/16W J	R1577	NRSA63J-392X	MG R	3.9kΩ 1/16W J
R1103	NRSA63J-100X	MG R	10Ω 1/16W J	R1578	NRSA63J-103X	MG R	10kΩ 1/16W J
R1109	NRSA63J-682X	MG R	6.8kΩ 1/16W J	R1581	QRE121J-182Y	C R	1.8kΩ 1/2W J
R1110	NRSA63J-272X	MG R	2.7kΩ 1/16W J	△ R1582	NRSA63J-223X	MG R	22kΩ 1/16W J
R1111	NRSA02J-181X	MG R	180Ω 1/10W J	R1583	NRSA63J-393X	MG R	39kΩ 1/16W J
R1112	NRSA63J-100X	MG R	10Ω 1/16W J	R1651	NRSA63J-472X	MG R	4.7kΩ 1/16W J
R1113	NRSA63J-101X	MG R	100Ω 1/16W J	R1652	NRSA02J-102X	MG R	1kΩ 1/10W J
R1120	NRSA63J-391X	MG R	390Ω 1/16W J	R1653	NRSA63J-331X	MG R	330Ω 1/16W J
R1121	NRSA63J-221X	MG R	220Ω 1/16W J	R1654	NRSA63J-223X	MG R	22kΩ 1/16W J
R1159	NRSA02J-184X	MG R	180kΩ 1/10W J	R1655	NRSA63J-473X	MG R	47kΩ 1/16W J
R1301	NRSA63J-221X	MG R	220Ω 1/16W J	R1656	NRSA63J-822X	MG R	8.2kΩ 1/16W J
R1302	NRSA63J-472X	MG R	4.7kΩ 1/16W J	R1657-58	NRSA63J-222X	MG R	2.2kΩ 1/16W J
R1303-05	NRSA63J-101X	MG R	100Ω 1/16W J	R1659	QRE121J-4R7Y	C R	4.7Ω 1/2W J
R1306	NRSA63J-221X	MG R	220Ω 1/16W J	R1660	NRSA63J-153X	MG R	15kΩ 1/16W J
R1307	NRSA63J-122X	MG R	1.2kΩ 1/16W J	R1661-62	QRE121J-271Y	C R	270Ω 1/2W J
R1308	NRSA63J-182X	MG R	1.8kΩ 1/16W J	R1664	NRSA63J-682X	MG R	6.8kΩ 1/16W J
R1312	NRSA63J-0R0X	MG R	0.0Ω 1/16W J	R1665	NRSA63J-103X	MG R	10kΩ 1/16W J
R1313	NRSA63J-102X	MG R	1kΩ 1/16W J	R1666	NRSA63J-101X	MG R	100Ω 1/16W J
R1314	NRSA02J-102X	MG R	1kΩ 1/10W J	R1667	QRE121J-101Y	C R	100Ω 1/2W J
R1321	NRSA63J-152X	MG R	1.5kΩ 1/16W J	R1668	QRT029J-5R6	MF R	5.6Ω 2W J
R1322	NRSA63J-272X	MG R	2.7kΩ 1/16W J	R1701	NRSA63J-562X	MG R	5.6kΩ 1/16W J
R1323	NRSA63J-103X	MG R	10kΩ 1/16W J	R1702	NRSA63J-682X	MG R	6.8kΩ 1/16W J
R1324	NRSA63J-102X	MG R	1kΩ 1/16W J	R1703	NRSA63J-392X	MG R	3.9kΩ 1/16W J
R1326	NRSA63J-101X	MG R	100Ω 1/16W J	R1704-05	NRSA63J-221X	MG R	220Ω 1/16W J
R1327	NRSA02J-475X	MG R	4.7MΩ 1/10W J	R1706-07	NRSA63J-561X	MG R	560Ω 1/16W J
R1341	NRSA63J-332X	MG R	3.3kΩ 1/16W J	R1708	NRSA63J-102X	MG R	1kΩ 1/16W J
R1347	NRSA63J-392X	MG R	3.9kΩ 1/16W J	R1709-14	NRSA63J-472X	MG R	4.7kΩ 1/16W J
R1349	NRSA63J-472X	MG R	4.7kΩ 1/16W J	R1715-16	NRSA63J-221X	MG R	220Ω 1/16W J
R1351-53	NRSA63J-151X	MG R	150Ω 1/16W J	R1718	NRSA63J-561X	MG R	560Ω 1/16W J
R1354-56	NRSA63J-331X	MG R	330Ω 1/16W J	R1719	NRSA63J-102X	MG R	1kΩ 1/16W J
R1357-59	NRSA63J-101X	MG R	100Ω 1/16W J	R1720	NRSA63J-472X	MG R	4.7kΩ 1/16W J
R1360-62	QRZ0107-152Z	C R	1.5kΩ 1/2W K	R1721	NRSA63J-103X	MG R	10kΩ 1/16W J
R1363-65	QRL029J-123	OM R	12kΩ 2W J	△ R1723	QRL039J-270	OM R	27Ω 3W J
R1366-68	NRSA63J-182X	MG R	1.8kΩ 1/16W J	R1725	NRSA63J-102X	MG R	1kΩ 1/16W J
R1372	NRSA63J-0R0X	MG R	0.0Ω 1/16W J	R1726	NRSA63J-472X	MG R	4.7kΩ 1/16W J
R1374	NRSA63J-392X	MG R	3.9kΩ 1/16W J	R1727	NRSA63J-153X	MG R	15kΩ 1/16W J
R1401	NRSA63J-103X	MG R	10kΩ 1/16W J	R1728-29	NRSA63J-102X	MG R	1kΩ 1/16W J
R1421	NRSA63J-472X	MG R	4.7kΩ 1/16W J	R1730	NRSA63J-103X	MG R	10kΩ 1/16W J
R1423-24	NRSA63J-0R0X	MG R	0.0Ω 1/16W J	R1731	NRSA63J-472X	MG R	4.7kΩ 1/16W J
R1425	NRSA63J-332X	MG R	3.3kΩ 1/16W J	R1736	NRSA63J-823X	MG R	82kΩ 1/16W J
R1426	NRSA63J-0R0X	MG R	0.0Ω 1/16W J	R1737	NRSA63J-104X	MG R	100kΩ 1/16W J
R1429	NRSA63J-103X	MG R	10kΩ 1/16W J	R1738-39	NRSA63J-103X	MG R	10kΩ 1/16W J
R1430	NRSA63J-823X	MG R	82kΩ 1/16W J	R1740	NRSA63J-392X	MG R	3.9kΩ 1/16W J
R1431	NRSA63J-103X	MG R	10kΩ 1/16W J	R1741	NRSA63J-561X	MG R	560Ω 1/16W J
R1432	QRE121J-3R9Y	C R	3.9Ω 1/2W J	R1742	NRSA63J-563X	MG R	56kΩ 1/16W J
R1433	QRE121J-2R7Y	C R	2.7Ω 1/2W J	R1746	NRSA63J-103X	MG R	10kΩ 1/16W J
R1436	NRSA63J-823X	MG R	82kΩ 1/16W J	R1747	NRSA63J-0R0X	MG R	0.0Ω 1/16W J
R1440	QRE121J-471Y	C R	470Ω 1/2W J	R1748	NRSA63J-101X	MG R	100Ω 1/16W J
R1441	NRSA63J-822X	MG R	8.2kΩ 1/16W J	R1749	NRSA63J-472X	MG R	4.7kΩ 1/16W J
R1442	NRSA63J-103X	MG R	10kΩ 1/16W J	R1771-72	NRSA63J-821X	MG R	820Ω 1/16W J
R1443	QRE121J-1R0Y	C R	1.0Ω 1/2W J	R1791-95	NRSA63J-221X	MG R	220Ω 1/16W J
R1453	NRSA63J-272X	MG R	2.7kΩ 1/16W J	R1796	NRSA63J-103X	MG R	10kΩ 1/16W J
R1501	QRE121J-221Y	C R	220Ω 1/2W J	R1797	NRSA63J-153X	MG R	15kΩ 1/16W J
R1502	NRSA63J-0R0X	MG R	0.0Ω 1/16W J	R1802	NRSA02J-750X	MG R	75Ω 1/10W J
R1503	NRSA63J-682X	MG R	6.8kΩ 1/16W J	R1806	QRE121J-271Y	C R	270Ω 1/2W J
R1525	QRL029J-330	OM R	33Ω 2W J	R1807	NRSA63J-680X	MG R	68Ω 1/16W J
R1526	QRE121J-271Y	C R	270Ω 1/2W J	R1810	QRG01GJ-560	OM R	56Ω 1W J
R1529	QRL039J-681	OM R	680Ω 3W J	R1811	NRSA63J-221X	MG R	220Ω 1/16W J
R1531	NRSA63J-331X	MG R	330Ω 1/16W J	R1815	QRE121J-181Y	C R	180Ω 1/2W J
R1532	NRSA63J-102X	MG R	1kΩ 1/16W J	R1816	NRSA63J-681X	MG R	680Ω 1/16W J
△ R1551	QRZ9011-1R0	F R	1.0Ω 1/2W J	R1817	NRSA63J-472X	MG R	4.7kΩ 1/16W J
△ R1552	QRJ146J-2R2X	C R	2.2Ω 1/4W J	△ R1901	QRF074K-4R7	UNF R	4.7Ω 7W K
R1554	QRE121J-681Y	C R	680Ω 1/2W J	R1903	QRL029J-683	OM R	68kΩ 2W J
R1571	QRE121J-222Y	C R	2.2kΩ 1/2W J	R1904	QRL039J-151	OM R	150Ω 3W J
R1573	QRT029J-1R5	MF R	1.5Ω 2W J	R1921	QRE121J-681Y	C R	680Ω 1/2W J

[AV-2114EE]

Symbol No.	Part No.	Part Name	Description
CAPACITOR			
C1948	QETN1EM-108Z	E CAP.	1000µF 25V M
C1949	NDC31HJ-471X	C CAP.	470pF 50V J
C1950	NCB21HK-104X	CHIP CAP.	0.1µF 50V K
C1971	QETN1HM-106Z	E CAP.	10µF 50V M
C1976	QETN1EM-227Z	E CAP.	220µF 25V M
C1977	QETN1CM-227Z	E CAP.	220µF 16V M
C1978	QETN1EM-227Z	E CAP.	220µF 25V M
C1979	QETN1AM-227Z	E CAP.	220µF 10V M
△ C1991	QCZ9079-471	C CAP.	470pFAC250V K
△ C1992	QCZ9079-471	C CAP.	470pFAC250V K
△ C1993	QCZ9079-102	C CAP.	1000pFAC250V M

TRANSFORMER			
T1501	QQR1244-001	DRIVE TRANSF	
△ T1522	QQH0102-001	FB TRANSF	
△ T1921	QQS0111-001	SW TRANSF	

COIL			
L1001	QQL244K-8R2Z	COIL	8.2µH K
L1101	QQL244J-2R2Z	COIL	2.2µH J
L1103	QQL244K-8R2Z	COIL	8.2µH K
L1551	QQL2026-240	HEATER CHOKE	
L1701	QQL244J-5R6Z	COIL	5.6µH J
L1941-43	QQL26AK-820Z	COIL	82µH K

DIODE			
D1001	MTZJ33A-T2	ZENER DIODE	
D1301-02	MTZJ9.1B-T2	ZENER DIODE	
D1305	D1NS4-T2	SI DIODE	
D1341	1SS355-X	SI DIODE	
D1421	MTZJ75-T2	ZENER DIODE	
D1423	1SR124-400A-T2	SI DIODE	
D1425	1SS355-X	SI DIODE	
D1427	MTZJ27B-T2	ZENER DIODE	
D1551	RGP10J-TS-T3	SI DIODE	
D1552	RH1S-T3	SI DIODE	
D1553	MTZJ9.1B-T2	ZENER DIODE	
D1554	1SS355-X	SI DIODE	
D1571	MTZJ7.5S-T2	ZENER DIODE	
D1581	MTZJ20B-T2	ZENER DIODE	
D1582	RGP10J-TS-T3	SI DIODE	
D1651	1SS355-X	SI DIODE	
D1652	MTZJ12C-T2	ZENER DIODE	
D1653	1SS355-X	SI DIODE	
D1654	MTZJ12C-T2	ZENER DIODE	
D1655-57	1SS355-X	SI DIODE	
D1701	1SS355-X	SI DIODE	
D1704	SLR-342VR-T16	L. E. D.	
D1705	SLR-342DU-T16	L. E. D. (ORG)	
D1707	1SS355-X	SI DIODE	
△ D1731	1SS355-X	SI DIODE	
△ D1901	G2SBA60	BRIDGE DIODE	
D1921	RGP10J-TS-T3	SI DIODE	
D1922-24	1SS355-X	SI DIODE	
D1926	MTZJ5.6B-T2	ZENER DIODE	
D1927	MTZJ6.8C-T2	ZENER DIODE	
D1929	MTZJ12C-T2	ZENER DIODE	
D1930	EG1A-T3	SI DIODE	
D1932	1SS355-X	SI DIODE	
D1933	MTZJ27B-T2	ZENER DIODE	
D1941	RU3AM-LFC4	SI DIODE	
D1942	RU3YX-LFC4	SI DIODE	
D1943	RGP10J-TS-T3	SI DIODE	
D1945	MTZJ9.1B-T2	ZENER DIODE	
D1982-83	1SS355-X	SI DIODE	

TRANSISTOR			
Q1102	2SC5083/L-P/-T	SI TRANSISTOR	
Q1301	2SB709A/QR/-X	SI TRANSISTOR	
Q1302	2SD601A/QR/-X	SI TRANSISTOR	
Q1351-53	STC344-T	SI TRANSISTOR	
Q1401	DTC124ESA-T	DIGI. TRANSISTOR	

Symbol No.	Part No.	Part Name	Description
TRANSISTOR			
Q1402	2SD601A/QR/-X	SI TRANSISTOR	
Q1521	2SC2655/Y/-T	SI TRANSISTOR	
△ Q1522	2SD2627-YB11	POWER TRANSISTOR	H. OUT
Q1571	2SA1208/ST/Z1-T	SI TRANSISTOR	
Q1572	2SD601A/QR/-X	SI TRANSISTOR	
Q1651-52	2SD601A/QR/-X	SI TRANSISTOR	
Q1653	2SB709A/QR/-X	SI TRANSISTOR	
Q1702-03	2SD601A/QR/-X	SI TRANSISTOR	
Q1708	UN2212-X	DEGI. TRANSISTOR	
Q1709	2SB709A/QR/-X	SI TRANSISTOR	
Q1803	2SC1815/YG/-T	SI TRANSISTOR	
Q1804	2SD601A/QR/-X	SI TRANSISTOR	
Q1941	2SD601A/QR/-X	SI TRANSISTOR	
Q1943	UN2211-X	DIGI TRANSISTOR	
Q1974	2SA966/OY/-T	SI TRANSISTOR	
Q1975	UN2212-X	DEGI. TRANSISTOR	

IC			
IC1301	NW5198K	I. C (M)	
IC1421	AN5522	I. C (MONO-ANA)	
IC1651	AN5265	I. C (MONO-ANA)	
IC1701	MN1873287JE	IC	
IC1702	AT24C08-21DTT2	I. C	(SERVICE)
IC1703	L78LR05E-MA	I. C (MONO-ANA)	
IC1704	PIC-47143SY	IR DETECT UNIT	
IC1921	STR-G6651	I C	
IC1941	SE115N-LF12	I. C (HYBRID)	
IC1971	BA17809T	I. C (MONO-ANA)	
IC1972	BA17805T	I. C (MONO-ANA)	

OTHERS			
	LC30114-001C-H	L. E. D. HOLDER	
	CM35921-005-H	CDS HOLDER	
△ CP1981	ICP-N25-Y	I. C. PROTECT	
△ CP1982	ICP-N75-Y	I. C. PROTECT	
△ F1901	QMF51E2-3R15J4	FUSE	3.15A
FC1901	CEMG002-001Z	FUSE CLIP	
J1002	QNN0384-001	PIN JACK	
J1003	QNN0281-003	PIN JACK	
J1004	QNN0281-002	PIN JACK	
J1005	QNS0197-001	3.5 JACK	
K1351	QQR0621-002Z	BEADS CORE	
K1421	QQR1113-001Z	FERRITE BEADS	
K1921-22	QQR1113-001Z	FERRITE BEADS	
K1923	QQR1114-001Z	FERRITE BEADS	
K1924	QQR1113-001Z	FERRITE BEADS	
K1941-43	QQR1113-001Z	FERRITE BEADS	
△ LF1901	QQR0527-002	LINE FILTER	
PC1701	P1241-04	C. D. S.	
△ PC1921	PC123F2	I. C (PH. COUPLER)	
S1701	QSW0619-003Z	PUSH SWITCH	VOL+
S1702	QSW0619-003Z	PUSH SWITCH	VOL-
S1703	QSW0619-003Z	PUSH SWITCH	CH+
S1704	QSW0619-003Z	PUSH SWITCH	CH-
S1705	QSW0619-003Z	PUSH SWITCH	MENU
△ S1901	QSW0750-001	PUSH SWITCH	POWER SW
SF1102	QAX0666-002	SAW FILTER	
SF1122	QAX0325-001	SAW FILTER	
△ SK1351	QNZ0537-001	CRT SOCKET	
△ TH1901	QAD0121-9R0	P. THERISTOR	
TU1001	QAU0185-004	TUNER	
△ VA1901	ERZV10V621CS	VARISTOR	
X1301	QAX0500-001Z	CRYSTAL	
X1302	CE42690-001Z	CRYSTAL	
X1701	QAX0307-001	CER. RESONATOR	

PRINTED WIRING BOARD PARTS LIST

[AV-21ATG2 / AV-21ATG2I-A]

MAIN P.W. BOARD ASS'Y (SCG-1284A-H2)

△ Symbol No.	Part No.	Part Name	Description
RESISTOR			
R1002-03	NRSA63J-221X	MG R	220Ω 1/16W J
R1004	NRSA63J-563X	MG R	56kΩ 1/16W J
R1102	NRSA63J-750X	MG R	75Ω 1/16W J
R1103	NRSA63J-100X	MG R	10Ω 1/16W J
R1109	NRSA63J-682X	MG R	6.8kΩ 1/16W J
R1110	NRSA63J-272X	MG R	2.7kΩ 1/16W J
R1111	NRSA02J-181X	MG R	180Ω 1/10W J
R1112	NRSA63J-100X	MG R	10Ω 1/16W J
R1113	NRSA63J-101X	MG R	100Ω 1/16W J
R1120	NRSA63J-391X	MG R	390Ω 1/16W J
R1121	NRSA63J-221X	MG R	220Ω 1/16W J
R1159	NRSA02J-184X	MG R	180kΩ 1/10W J
R1301	NRSA63J-221X	MG R	220Ω 1/16W J
R1302	NRSA63J-472X	MG R	4.7kΩ 1/16W J
R1303-05	NRSA63J-101X	MG R	100Ω 1/16W J
R1306	NRSA63J-221X	MG R	220Ω 1/16W J
R1307	NRSA63J-122X	MG R	1.2kΩ 1/16W J
R1308	NRSA63J-182X	MG R	1.8kΩ 1/16W J
R1312	NRSA63J-0R0X	MG R	0.0Ω 1/16W J
R1313	NRSA63J-102X	MG R	1kΩ 1/16W J
R1314	NRSA02J-102X	MG R	1kΩ 1/10W J
R1321	NRSA63J-152X	MG R	1.5kΩ 1/16W J
R1322	NRSA63J-272X	MG R	2.7kΩ 1/16W J
R1323	NRSA63J-103X	MG R	10kΩ 1/16W J
R1324	NRSA63J-102X	MG R	1kΩ 1/16W J
R1326	NRSA63J-101X	MG R	100Ω 1/16W J
R1327	NRSA02J-475X	MG R	4.7MΩ 1/10W J
R1341	NRSA63J-332X	MG R	3.3kΩ 1/16W J
R1347	NRSA63J-392X	MG R	3.9kΩ 1/16W J
R1349	NRSA63J-472X	MG R	4.7kΩ 1/16W J
R1351-53	NRSA63J-151X	MG R	150Ω 1/16W J
R1354-56	NRSA63J-331X	MG R	330Ω 1/16W J
R1357-59	NRSA63J-101X	MG R	100Ω 1/16W J
R1360-62	QRZ0107-152Z	C R	1.5kΩ 1/2W K
R1363-65	QRL029J-123	OM R	12kΩ 2W J
R1366-68	NRSA63J-182X	MG R	1.8kΩ 1/16W J
R1372	NRSA63J-0R0X	MG R	0.0Ω 1/16W J
R1374	NRSA63J-682X	MG R	6.8kΩ 1/16W J
R1401	NRSA63J-103X	MG R	10kΩ 1/16W J
R1421	NRSA63J-472X	MG R	4.7kΩ 1/16W J
R1423-24	NRSA63J-0R0X	MG R	0.0Ω 1/16W J
R1425	NRSA63J-332X	MG R	3.3kΩ 1/16W J
R1426	NRSA63J-0R0X	MG R	0.0Ω 1/16W J
R1429	NRSA63J-103X	MG R	10kΩ 1/16W J
R1430	NRSA63J-823X	MG R	82kΩ 1/16W J
R1431	NRSA63J-103X	MG R	10kΩ 1/16W J
R1432	QRE121J-3R9Y	C R	3.9Ω 1/2W J
R1433	QRE121J-2R7Y	C R	2.7Ω 1/2W J
R1436	NRSA63J-823X	MG R	82kΩ 1/16W J
R1440	QRE121J-471Y	C R	470Ω 1/2W J
R1441	NRSA63J-822X	MG R	8.2kΩ 1/16W J
R1442	NRSA63J-103X	MG R	10kΩ 1/16W J
R1443	QRE121J-1R0Y	C R	1.0Ω 1/2W J
R1453	NRSA63J-272X	MG R	2.7kΩ 1/16W J
R1501	QRE121J-221Y	C R	220Ω 1/2W J
R1502	NRSA63J-0R0X	MG R	0.0Ω 1/16W J
R1503	NRSA63J-682X	MG R	6.8kΩ 1/16W J
R1525	QRL029J-330	OM R	33Ω 2W J
R1526	QRE121J-271Y	C R	270Ω 1/2W J
R1529	QRL039J-681	OM R	680Ω 3W J
R1531	NRSA63J-331X	MG R	330Ω 1/16W J
R1532	NRSA63J-102X	MG R	1kΩ 1/16W J
△ R1551	QRZ9011-1R0	F R	1.0Ω 1/2W J
△ R1552	QRJ146J-2R2X	C R	2.2Ω 1/4W J
R1554	QRE121J-681Y	C R	680Ω 1/2W J
R1571	QRE121J-222Y	C R	2.2kΩ 1/2W J
R1573	QRT029J-1R5	MF R	1.5Ω 2W J

△ Symbol No.	Part No.	Part Name	Description
RESISTOR			
R1574	QRT029J-1R5	MF R	1.5Ω 2W J
R1576	QRE121J-223Y	C R	22kΩ 1/2W J
R1577	NRSA63J-392X	MG R	3.9kΩ 1/16W J
R1578	NRSA63J-103X	MG R	10kΩ 1/16W J
R1581	QRE121J-182Y	C R	1.8kΩ 1/2W J
△ R1582	NRSA63J-223X	MG R	22kΩ 1/16W J
R1583	NRSA63J-393X	MG R	39kΩ 1/16W J
R1651	NRSA63J-472X	MG R	4.7kΩ 1/16W J
R1652	NRSA02J-102X	MG R	1kΩ 1/10W J
R1653	NRSA63J-331X	MG R	330Ω 1/16W J
R1654	NRSA63J-223X	MG R	22kΩ 1/16W J
R1655	NRSA63J-473X	MG R	47kΩ 1/16W J
R1656	NRSA63J-822X	MG R	8.2kΩ 1/16W J
R1657-58	NRSA63J-222X	MG R	2.2kΩ 1/16W J
R1659	QRE121J-4R7Y	C R	4.7Ω 1/2W J
R1660	NRSA63J-153X	MG R	15kΩ 1/16W J
R1661-62	QRE121J-271Y	C R	270Ω 1/2W J
R1664	NRSA63J-682X	MG R	6.8kΩ 1/16W J
R1665	NRSA63J-103X	MG R	10kΩ 1/16W J
R1666	NRSA63J-101X	MG R	100Ω 1/16W J
R1667	QRE121J-101Y	C R	100Ω 1/2W J
R1668	QRT029J-5R6	MF R	5.6Ω 2W J
R1701	NRSA63J-562X	MG R	5.6kΩ 1/16W J
R1702	NRSA63J-682X	MG R	6.8kΩ 1/16W J
R1703	NRSA63J-392X	MG R	3.9kΩ 1/16W J
R1704-05	NRSA63J-221X	MG R	220Ω 1/16W J
R1706-07	NRSA63J-561X	MG R	560Ω 1/16W J
R1708	NRSA63J-102X	MG R	1kΩ 1/16W J
R1709-14	NRSA63J-472X	MG R	4.7kΩ 1/16W J
R1715-16	NRSA63J-221X	MG R	220Ω 1/16W J
R1718	NRSA63J-561X	MG R	560Ω 1/16W J
R1719	NRSA63J-102X	MG R	1kΩ 1/16W J
R1720	NRSA63J-472X	MG R	4.7kΩ 1/16W J
R1721	NRSA63J-103X	MG R	10kΩ 1/16W J
△ R1723	QRL039J-270	OM R	27Ω 3W J
R1725	NRSA63J-102X	MG R	1kΩ 1/16W J
R1726	NRSA63J-472X	MG R	4.7kΩ 1/16W J
R1727	NRSA63J-153X	MG R	15kΩ 1/16W J
R1728-29	NRSA63J-102X	MG R	1kΩ 1/16W J
R1730	NRSA63J-103X	MG R	10kΩ 1/16W J
R1731	NRSA63J-472X	MG R	4.7kΩ 1/16W J
R1736	NRSA63J-823X	MG R	82kΩ 1/16W J
R1737	NRSA63J-104X	MG R	100kΩ 1/16W J
R1738-39	NRSA63J-103X	MG R	10kΩ 1/16W J
R1740	NRSA63J-392X	MG R	3.9kΩ 1/16W J
R1741	NRSA63J-561X	MG R	560Ω 1/16W J
R1742	NRSA63J-563X	MG R	56kΩ 1/16W J
R1746	NRSA63J-103X	MG R	10kΩ 1/16W J
R1747	NRSA63J-0R0X	MG R	0.0Ω 1/16W J
R1748	NRSA63J-101X	MG R	100Ω 1/16W J
R1749	NRSA63J-472X	MG R	4.7kΩ 1/16W J
R1771-72	NRSA63J-821X	MG R	820Ω 1/16W J
R1791-95	NRSA63J-221X	MG R	220Ω 1/16W J
R1796	NRSA63J-103X	MG R	10kΩ 1/16W J
R1797	NRSA63J-153X	MG R	15kΩ 1/16W J
R1802	NRSA02J-750X	MG R	75Ω 1/10W J
R1806	QRE121J-271Y	C R	270Ω 1/2W J
R1807	NRSA63J-680X	MG R	680Ω 1/16W J
R1810	QRG016G-560	OM R	56Ω 1W J
R1811	NRSA63J-221X	MG R	220Ω 1/16W J
R1815	QRE121J-181Y	C R	180Ω 1/2W J
R1816	NRSA63J-681X	MG R	680Ω 1/16W J
R1817	NRSA63J-472X	MG R	4.7kΩ 1/16W J
△ R1901	QRF104K-3R9	UNF R	3.9Ω 10W K
R1903	QRL029J-683	OM R	68kΩ 2W J
R1904	QRL039J-151	OM R	150Ω 3W J
R1921	QRE121J-681Y	C R	680Ω 1/2W J

[AV-21ATG2 / AV-21ATG2/-A]

△ Symbol No.	Part No.	Part Name	Description
RESISTOR			
△ R1922	QRT029J-1R2	MF R	1.2Ω 2W J
R1923	QRM059J-R22	MP R	0.22Ω 5W J
R1926	NRSA63J-222X	MG R	2.2kΩ 1/16W J
R1928	QRL039J-563	OM R	56kΩ 3W J
R1929	QRE121J-822Y	C R	8.2kΩ 1/2W J
R1932	QRE121J-564Y	C R	560kΩ 1/2W J
R1933	QRE121J-120Y	C R	12Ω 1/2W J
R1934	NRSA63J-333X	MG R	33kΩ 1/16W J
R1936	QRG01GJ-561	OM R	560Ω 1W J
R1941	QRE121J-821Y	C R	820Ω 1/2W J
R1942	NRSA63J-122X	MG R	1.2kΩ 1/16W J
R1943	NRSA63J-473X	MG R	47kΩ 1/16W J
R1944	NRSA63J-103X	MG R	10kΩ 1/16W J
R1974	NRSA63J-222X	MG R	2.2kΩ 1/16W J
R1976	QRT029J-8R2	MF R	8.2Ω 2W J
R1977	QRE121J-122Y	C R	1.2kΩ 1/2W J
R1978	NRSA63J-473X	MG R	47kΩ 1/16W J
R1979	QRL039J-470	OM R	47Ω 3W J
R1980	QRL029J-103	OM R	10kΩ 2W J
△ R1991	QRZ9046-825Z	C R	8.2MΩ 1/2W K

CAPACITOR

C1001	QETN1HM-106Z	E CAP.	10μF 50V M
C1002	NCB31HK-103X	C CAP.	0.01μF 50V K
C1004	QETN1CM-477Z	E CAP.	470μF 16V M
C1005	QFV71HJ-104Z	MF CAP.	0.1μF 50V J
C1008	QETN1HM-475Z	E CAP.	4.7μF 50V M
C1103	QETN1EM-476Z	E CAP.	47μF 25V M
C1104-07	NCB31HK-472X	C CAP.	4700pF 50V K
C1110	NRSA63J-0R0X	MG R	0.0Ω 1/16W J
C1112	QETN1EM-476Z	E CAP.	47μF 25V M
C1113	NCB31HK-472X	C CAP.	4700pF 50V K
C1115-16	NCB31HK-103X	C CAP.	0.01μF 50V K
C1117	QFV71HJ-224Z	MF CAP.	0.22μF 50V J
C1119	QETN1HM-474Z	E CAP.	0.47μF 50V M
C1120	NDC31HJ-121X	C CAP.	120pF 50V J
C1121-22	NCB31HK-103X	C CAP.	0.01μF 50V K
C1162	NCB31HK-152X	CHIP CAP.	1500pF 50V K
C1301	NCB31HK-123X	CHIP CAP.	0.012μF 50V K
C1302	QETN1HM-475Z	E CAP.	4.7μF 50V M
C1303	NDC31HJ-100X	C CAP.	10pF 50V J
C1304	QFV71HJ-474Z	MF CAP.	0.47μF 50V J
C1305	QETN1HM-474Z	E CAP.	0.47μF 50V M
C1306	NCB31HK-103X	C CAP.	0.01μF 50V K
C1307	QETN1CM-477Z	E CAP.	470μF 16V M
C1308	QETN1CM-107Z	E CAP.	100μF 16V M
C1309	NCB31HK-103X	C CAP.	0.01μF 50V K
C1310	NDC31HJ-221X	C CAP.	220pF 50V J
C1311	NCB31HK-103X	C CAP.	0.01μF 50V K
C1312	QENC1HM-474Z	BP E CAP.	0.47μF 50V M
C1313	QETN1HM-335Z	E CAP.	3.3μF 50V M
C1314	NCB31HK-103X	C CAP.	0.01μF 50V K
C1315	QETN1CM-107Z	E CAP.	100μF 16V M
C1316	QETN1HM-106Z	E CAP.	10μF 50V M
C1317	NCB31EK-473X	CHIP CAP.	0.047μF 25V K
C1321	NDC31HJ-120X	C CAP.	12pF 50V J
C1322	NCB31EK-273X	CHIP CAP.	0.027μF 25V K
C1323	QETN1HM-474Z	E CAP.	0.47μF 50V M
C1324	QETN1HM-106Z	E CAP.	10μF 50V M
C1325	QENC1HM-106Z	BP E CAP.	10μF 50V M
C1326	NCS21HJ-221X	C CAP.	220pF 50V J
C1341	QETN1HM-106Z	E CAP.	10μF 50V M
△ C1352	QFZ0097-103	MM CAP.	0.01μF 1250V K
C1354	NDC31HJ-271X	CER CAP.	270pF 50V J
C1355	NDC31HJ-221X	C CAP.	220pF 50V J
C1356	NDC31HJ-331X	C CAP.	330pF 50V J
C1357	QETN1AM-477Z	E CAP.	470μF 10V M
C1365-67	QENC1HM-105Z	BP E CAP.	1μF 50V M
C1401	QFV71HJ-474Z	MF CAP.	0.47μF 50V J
C1423	QCS32HJ-180Z	C CAP.	18pF 500V J

△ Symbol No.	Part No.	Part Name	Description
CAPACITOR			
C1424	QFLC2AJ-103Z	M CAP.	0.01μF 100V J
C1426	QFLC1HJ-102Z	M CAP.	1000pF 50V J
C1427-28	QETN1VM-107Z	E CAP.	100μF 35V M
C1429	QETN1HM-106Z	E CAP.	10μF 50V M
C1430	QFN32AJ-472Z	M CAP.	4700pF 100V J
C1433	QETN1HM-475Z	E CAP.	4.7μF 50V M
C1435	QETN1EM-228	E CAP.	2200μF 25V M
C1436	QFV71HJ-334Z	MF CAP.	0.33μF 50V J
C1437	NCB21HK-104X	CHIP CAP.	0.1μF 50V K
C1501	QETN1AM-477Z	E CAP.	470μF 10V M
C1502	NCB31HK-103X	C CAP.	0.01μF 50V K
C1503	QETN1HM-106Z	E CAP.	10μF 50V M
C1523	QETN1EM-476Z	E CAP.	47μF 25V M
△ C1525	QFZ0200-97Z	MPP CAP.	9700μF1.5KvH ±3%
C1526	QFLC1HJ-103Z	M CAP.	0.01μF 50V J
△ C1527	QFZ0197-334	MPP CAP.	0.33μF 250V J
C1529	QFN32AJ-102Z	M CAP.	1000pF 100V J
C1531	QEZ0203-107	E CAP.	100μF 160V M
C1552	QETN1VM-108	E CAP.	1000μF 35V M
C1554	QETN2EM-475Z	E CAP.	4.7μF 250V M
C1555	QFLC2AJ-104Z	M CAP.	0.1μF 100V J
C1571	QETN1AM-107Z	E CAP.	100μF 10V M
C1572	QETN1EM-476Z	E CAP.	47μF 25V M
C1581	QFV71HJ-104Z	MF CAP.	0.1μF 50V J
C1652	NCB31HK-473X	CHIP CAP.	0.047μF 50V K
C1653	QETN1HM-106Z	E CAP.	10μF 50V M
C1654	QETN1CM-477Z	E CAP.	470μF 16V M
C1655	QETN1HM-106Z	E CAP.	10μF 50V M
C1656	QENC1HM-105Z	BP E CAP.	1μF 50V M
C1657	QETN1EM-107Z	E CAP.	100μF 25V M
C1658	QETN1EM-227Z	E CAP.	220μF 25V M
C1659	QETN1HM-475Z	E CAP.	4.7μF 50V M
C1663	NCB31HK-102X	C CAP.	1000pF 50V K
C1664	QETN1CM-107Z	E CAP.	100μF 16V M
C1665	NCB31HK-103X	C CAP.	0.01μF 50V K
C1701	QETN1HM-106Z	E CAP.	10μF 50V M
C1705	QETN1CM-477Z	E CAP.	470μF 16V M
C1706	NCB21EK-104X	C CAP.	0.1μF 25V K
C1707	NCB31HK-103X	C CAP.	0.01μF 50V K
C1708	QETN1EM-476Z	E CAP.	47μF 25V M
C1709	NCB31HK-103X	C CAP.	0.01μF 50V K
C1710	QETN1CM-107Z	E CAP.	100μF 16V M
C1711-13	NCB31HK-103X	C CAP.	0.01μF 50V K
C1716-17	NDC31HJ-181X	C CAP.	180pF 50V J
C1718	NCB31HK-103X	C CAP.	0.01μF 50V K
C1719	QETN1HM-105Z	E CAP.	1μF 50V M
C1720	NCB31HK-103X	C CAP.	0.01μF 50V K
C1721	NCB31EK-333X	CHIP CAP.	0.033μF 25V K
C1722	NDC31HJ-101X	C CAP.	100pF 50V J
C1724	NDC31HJ-560X	C CAP.	56pF 50V J
C1728-29	NDC31HJ-181X	C CAP.	180pF 50V J
C1730	NCB31HK-103X	C CAP.	0.01μF 50V K
C1744	NCB31HK-103X	C CAP.	0.01μF 50V K
C1805	QETN1CM-227Z	E CAP.	220μF 16V M
C1806	QETN1CM-477Z	E CAP.	470μF 16V M
C1811	QETN1HM-106Z	E CAP.	10μF 50V M
C1841	NCB31HK-152X	CHIP CAP.	1500pF 50V K
△ C1901	QFZ9075-104	MPP CAP.	0.1μFAC275V M
△ C1904	QCZ9015-102	C CAP.	1000pFAC250V Z
△ C1905	QCZ9015-102	C CAP.	1000pFAC250V Z
△ C1907	QCZ9015-102	C CAP.	1000pFAC250V Z
△ C1909	QEZ0552-127	E CAP.	120μF 400V M
△ C1910	QFZ9075-473	MPP CAP.	0.047μFAC275V M
△ C1922	QFLC1HJ-471Z	M CAP.	470pF 50V J
C1924	QETN1VM-107Z	E CAP.	100μF 35V M
C1926	QFLC1HJ-332Z	M CAP.	3300pF 50V J
C1928	NCB21HK-473X	C CAP.	0.047μF 50V K
C1929	QFP32GJ-223Z	PP CAP.	0.022μF 400V J
C1930	QCZ0325-561	C CAP.	5600pF 2kV K
C1931-32	QCZ0325-151	C CAP.	1500pF 2kV K
C1941	QCZ0325-561	C CAP.	5600pF 2kV K
C1942	QEZ0203-107	E CAP.	100μF 160V M

[AV-21ATG2 / AV-21ATG2/-A]

Symbol No.	Part No.	Part Name	Description
CAPACITOR			
C1945	QEHR1EM-108Z	E CAP.	1000µF 25V M
C1946	QETN1EM-477Z	E CAP.	470µF 25V M
C1948	QETN1EM-108Z	E CAP.	1000µF 25V M
C1949	NDC31HJ-471X	C CAP.	470pF 50V J
C1950	NCB21HK-104X	CHTP CAP.	0.1µF 50V K
C1971	QETN1HM-106Z	E CAP.	10µF 50V M
C1976	QETN1EM-227Z	E CAP.	220µF 25V M
C1977	QETN1CM-227Z	E CAP.	220µF 16V M
C1978	QETN1EM-227Z	E CAP.	220µF 25V M
C1979	QETN1AM-227Z	E CAP.	220µF 10V M
△ C1991	QCZ9079-471	C CAP.	470pFAC250V K
△ C1992	QCZ9079-471	C CAP.	470pFAC250V K
△ C1993	QCZ9079-102	C CAP.	1000pFAC250V M

TRANSFORMER			
△ T1501	QQR1244-001	DRIVE TRANSF	
△ T1522	QQH0102-001	FB TRANSF	
△ T1921	QQS0111-001	SW TRANSF	

COIL			
L1001	QQL244K-8R2Z	COIL	8.2µH K
L1101	QQL244J-2R2Z	COIL	2.2µH J
L1103	QQL244K-8R2Z	COIL	8.2µH K
L1551	QQLZ026-240	HEATER CHOKE	
L1701	QQL244J-5R6Z	COIL	5.6µH J
L1941-43	QQL26AK-820Z	COIL	82µH K

DIODE			
D1001	MTZJ33A-T2	ZENER DIODE	
D1301-02	MTZJ9.1B-T2	ZENER DIODE	
D1305	D1NS4-T2	SI DIODE	
D1341	1SS355-X	SI DIODE	
D1421	MTZJ75-T2	ZENER DIODE	
D1423	1SR124-400A-T2	SI DIODE	
D1425	1SS355-X	SI DIODE	
D1427	MTZJ27B-T2	ZENER DIODE	
D1551	RGPI0J-TS-T3	SI DIODE	
D1552	RH15-T3	SI DIODE	
D1553	MTZJ9.1B-T2	ZENER DIODE	
D1554	1SS355-X	SI DIODE	
D1571	MTZJ7.5S-T2	ZENER DIODE	
D1581	MTZJ20B-T2	ZENER DIODE	
D1582	RGPI0J-TS-T3	SI DIODE	
D1651	1SS355-X	SI DIODE	
D1652	MTZJ12C-T2	ZENER DIODE	
D1653	1SS355-X	SI DIODE	
D1654	MTZJ12C-T2	ZENER DIODE	
D1655-57	1SS355-X	SI DIODE	
D1701	1SS355-X	SI DIODE	
D1704	SLR-342VR-T16	L.E.D.	
D1705	SLR-342DU-T16	L.E.D.(ORG)	
D1707	1SS355-X	SI DIODE	
△ D1731	1SS355-X	SI DIODE	
△ D1901	G2SBA60	BRIDGE DIODE	
D1921	RGPI0J-TS-T3	SI DIODE	
D1922-24	1SS355-X	SI DIODE	
D1926	MTZJ5.6B-T2	ZENER DIODE	
D1927	MTZJ6.8C-T2	ZENER DIODE	
D1929	MTZJ12C-T2	ZENER DIODE	
D1930	EG1A-T3	SI DIODE	
D1932	1SS355-X	SI DIODE	
D1933	MTZJ27B-T2	ZENER DIODE	
D1941	RU3AM-LFC4	SI DIODE	
D1942	RU3YX-LFC4	SI DIODE	
D1943	RGPI0J-TS-T3	SI DIODE	
D1945	MTZJ9.1B-T2	ZENER DIODE	
D1982-83	1SS355-X	SI DIODE	

TRANSISTOR			
Q1102	2SC5083/L-P/-T	SI TRANSISTOR	
Q1301	2SB709A/QR/-X	SI TRANSISTOR	
Q1302	2SD601A/QR/-X	SI TRANSISTOR	

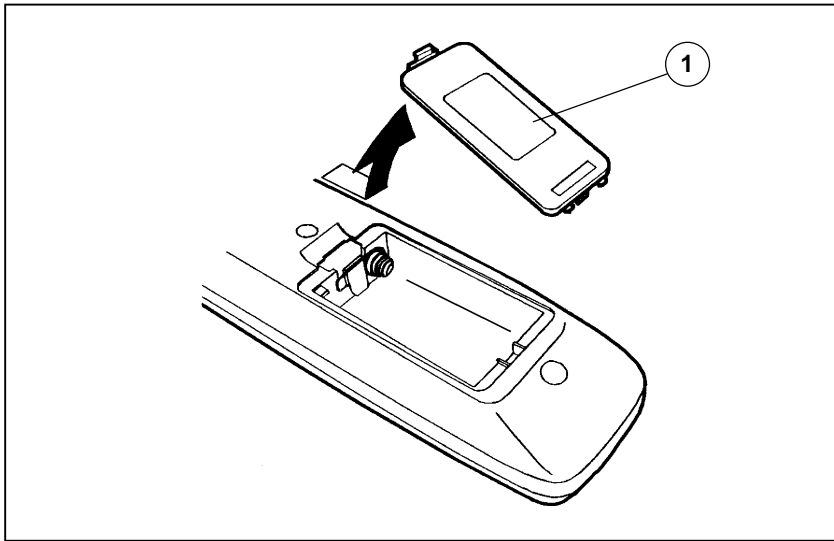
Symbol No.	Part No.	Part Name	Description
TRANSISTOR			
Q1351-53	STC344-T	SI TRANSISTOR	
Q1401	DTC124ESA-T	DIGI TRANSISTOR	
Q1402	2SD601A/QR/-X	SI TRANSISTOR	
Q1521	2SC2655/Y/-T	SI TRANSISTOR	
△ Q1522	2SD2627-YB11	POWER TRANSISTOR	H.OUT
Q1571	2SA1208/ST/Z1-T	SI TRANSISTOR	
Q1572	2SD601A/QR/-X	SI TRANSISTOR	
Q1651-52	2SD601A/QR/-X	SI TRANSISTOR	
Q1653	2SB709A/QR/-X	SI TRANSISTOR	
Q1702-03	2SD601A/QR/-X	SI TRANSISTOR	
Q1708	UN2212-X	DEGI TRANSISTOR	
Q1709	2SB709A/QR/-X	SI TRANSISTOR	
Q1803	2SC1815/YG/-T	SI TRANSISTOR	
Q1804	2SD601A/QR/-X	SI TRANSISTOR	
Q1941	2SD601A/QR/-X	SI TRANSISTOR	
Q1943	UN2211-X	DIGI TRANSISTOR	
Q1974	2SA966/OY/-T	SI TRANSISTOR	
Q1975	UN2212-X	DEGI TRANSISTOR	

IC			
IC1301	NNS198K	I.C(M)	
IC1421	AN5522	I.C(MONO-ANA)	
IC1651	AN5265	I.C(MONO-ANA)	
IC1701	MN1873287JF	IC	
IC1702	AT24C08-21D1T2	I.C	(SERVICE)
IC1703	L78L05E-MA	I.C(MONO-ANA)	
IC1704	PIC-47143SY	IR DETECT UNIT	
IC1921	STR-G6653	I.C(HYBRID)	
IC1941	SE115N-LF12	I.C(HYBRID)	
IC1971	BA17809T	I.C(MONO-ANA)	
IC1972	BA17805T	I.C(MONO-ANA)	

OTHERS			
△ CP1981	LC30114-001C-H	L.E.D.HOLDER	
△ CP1982	CM35921-005-H	CDS HOLDER	
△ F1901	ICP-N25-Y	I.C.PROTECT	
△ F1901	ICP-N75-Y	I.C.PROTECT	
F1901	QMF51E2-3R15J4	FUSE	3.15A
FC1901	CEMG002-001Z	FUSE CLIP	
J1002	QNN0384-001	PIN JACK	
J1003	QNN0281-003	PIN JACK	
J1004	QNN0281-002	PIN JACK	
J1005	QNS0197-001	3.5 JACK	
K1351	QQR0621-002Z	BEADS CORE	
K1421	QQR1113-001Z	FERRITE BEADS	
K1921-22	QQR1113-001Z	FERRITE BEADS	
K1923	QQR1114-001Z	FERRITE BEADS	
K1924	QQR1113-001Z	FERRITE BEADS	
K1941-43	QQR1113-001Z	FERRITE BEADS	
△ LF1901	QQR0527-002	LINE FILTER	
PC1701	PI241-04	C.D.S.	
△ PC1921	PC123F2	I.C(PH.COUPLER)	
S1701	QSW0619-003Z	PUSH SWITCH	VOL+
S1702	QSW0619-003Z	PUSH SWITCH	VOL-
S1703	QSW0619-003Z	PUSH SWITCH	CH+
S1704	QSW0619-003Z	PUSH SWITCH	CH-
S1705	QSW0619-003Z	PUSH SWITCH	MENU
△ S1901	QSW0750-001	PUSH SWITCH	POWER SW
SF1102	QAX0666-002	SAW FILTER	
SF1122	QAX0325-001	SAW FILTER	
△ SK1351	QNZ0537-001	CRT SOCKET	
△ TH1901	QAD0121-9R0	P.THERISTOR	
TU1001	QAU0185-004	TUNER	
△ VA1901	ERZV10V621CS	VARISTOR	
X1301	QAX0500-001Z	CRYSTAL	
X1302	CE42690-001Z	CRYSTAL	
X1701	QAX0307-001	CER.RESONATOR	

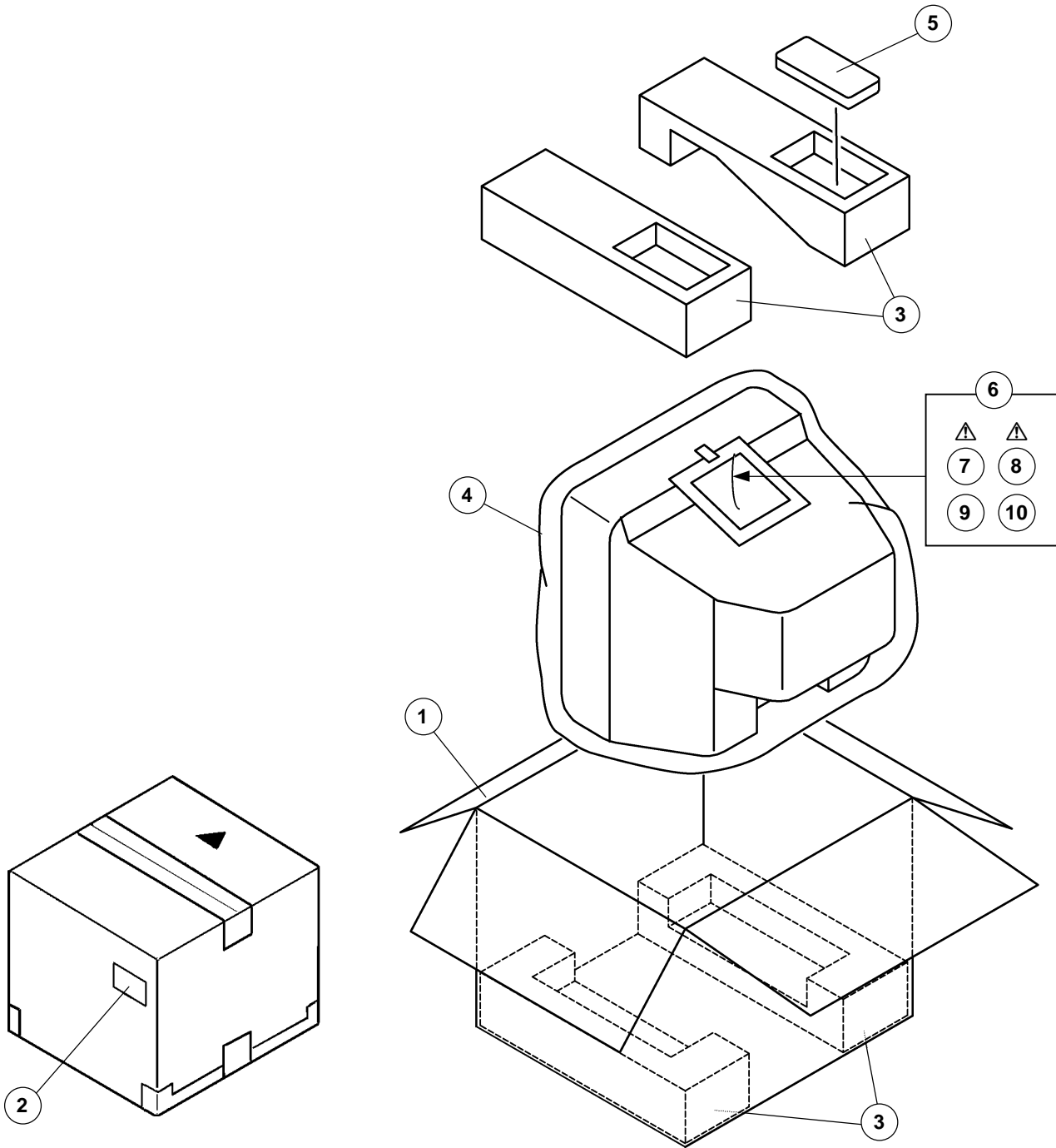
REMOTE CONTROL UNIT PARTS LIST (RM-C364GY-1H)

△ Ref.No.	Part No.	Part Name.	Description
1	25-1168F	BATTERY COVER	



AV-21A10
AV-2114EE
AV-21ATG2

PACKING



PACKING PARTS LIST

△ Ref.No.	Part No.	Part Name	Description
AV-21A10			
1	GG10056-048A-H	PACKING CASE	
2	CM47385-00B-H	POS/SERIAL LABEL	
3	CP11667-00B-H	CUSHION ASSY	4pcs in 1set
4	CP30967-003-H	POLY BAG	
5	RM-C364GY-1H	REMOCON UNIT	
6	CP30966-001-H	POLY BAG	
△ 7	LCT1039-001A-H	INST BOOK	
△ 8	LCT1034-001A-H	DIGEST MANUAL	

AV-21A10/HK			
1	GG10056-049A-H	PACKING CASE	
2	CM47385-00B-H	POS/SERIAL LABEL	
3	CP11667-00B-H	CUSHION ASSY	4pcs in 1set
4	CP30967-003-H	POLY BAG	
5	RM-C364GY-1H	REMOCON UNIT	
6	CP30966-001-H	POLY BAG	
△ 7	LCT1030-001A-H	INST BOOK	

AV-2114EE			
1	GG10056-050A-H	PACKING CASE	
2	CM47385-00B-H	POS/SERIAL LABEL	
3	CP11667-00B-H	CUSHION ASSY	4pcs in 1set
4	CP30967-003-H	POLY BAG	
5	RM-C364GY-1H	REMOCON UNIT	
6	CP30966-001-H	POLY BAG	
△ 7	LCT1029-001A-H	INST BOOK	
9	BT-54012-2	WARRANTY CARD	

AV-21ATG2			
1	GG10056-051A-H	PACKING CASE	
2	CM47385-00B-H	POS/SERIAL LABEL	
3	CP11667-00B-H	CUSHION ASSY	4pcs in 1set
4	CP30967-003-H	POLY BAG	
5	RM-C364GY-1H	REMOCON UNIT	
6	CP30966-001-H	POLY BAG	
△ 7	LCT0994-001B-H	INST BOOK	
△ 8	LCT0993-001B-H	DIGEST MANUAL	

AV-21ATG2/-A			
1	GG10056-051A-H	PACKING CASE	
2	CM47385-00B-H	POS/SERIAL LABEL	
3	CP11667-00B-H	CUSHION ASSY	4pcs in 1set
4	CP30967-003-H	POLY BAG	
5	RM-C364GY-1H	REMOCON UNIT	
6	CP30966-001-H	POLY BAG	
△ 7	LCT0994-001B-H	INST BOOK	
△ 8	LCT0993-001B-H	DIGEST MANUAL	
10	QAM0055-001	CONVERSION PLUG	

JVC

VICTOR COMPANY OF JAPAN, LIMITED

HOME AV NETWORK BUSINESS UNIT 12, 3-chome, Moriya-cho, Kanagawa-ku, Yokohama, Kanagawa-prefecture, 221-8528, Japan

AV21A10-H #4 / AV21A10HK-H #999
AV2114EE-H #4
AV21ATG2-H #999 / AV21ATG2A-H #4



VP 0111
DP305158